

PTC SERIES

High pressure heavy duty screw connect couplers

INTRODUCTION

Holmbury's PTC Series screw connect couplers are designed for heavy duty applications involving very high pressures and severe pressure pulse conditions.

CONSTRUCTION

- Carbon steel with trivalent plating
- Fitted with Nitrile seals
- Also available in AISI 316 stainless steel (See PTS Series)

FEATURES

- Screw connect design eliminates brinelling
- Can be connected with up to 50 bar residual pressure in the hydraulic circuit
- Bidirectional flow

ACCESSORIES

- Dust Caps and Plugs are available for the PTC Series



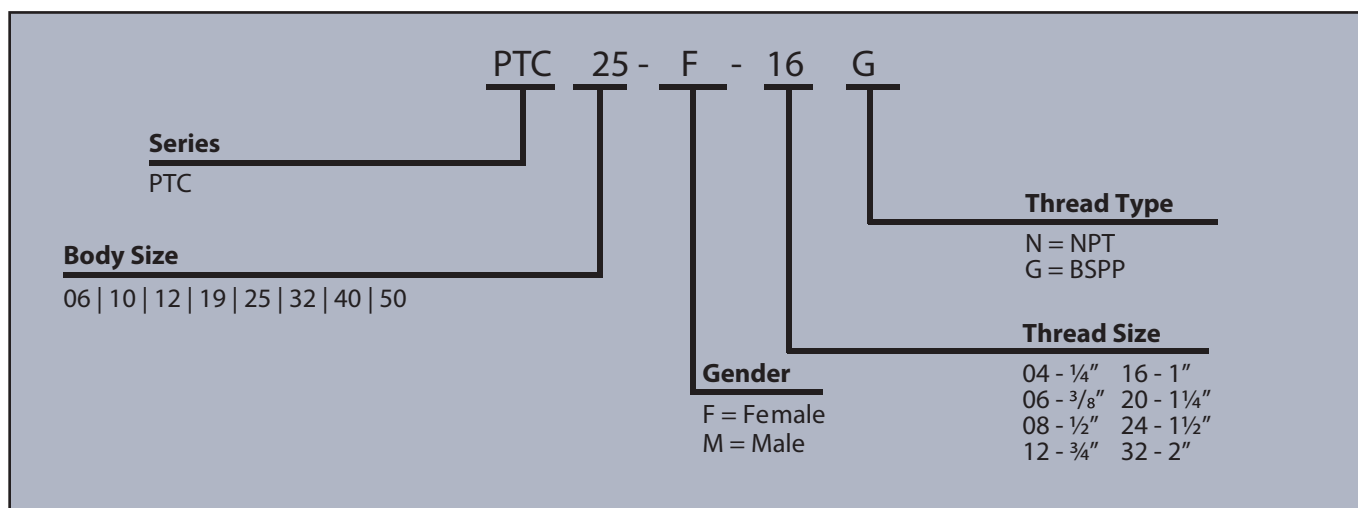
SPECIFICATIONS

- Operating temperatures (With Nitrile seals): -40°C (-40°F) to 106°C (223°F)

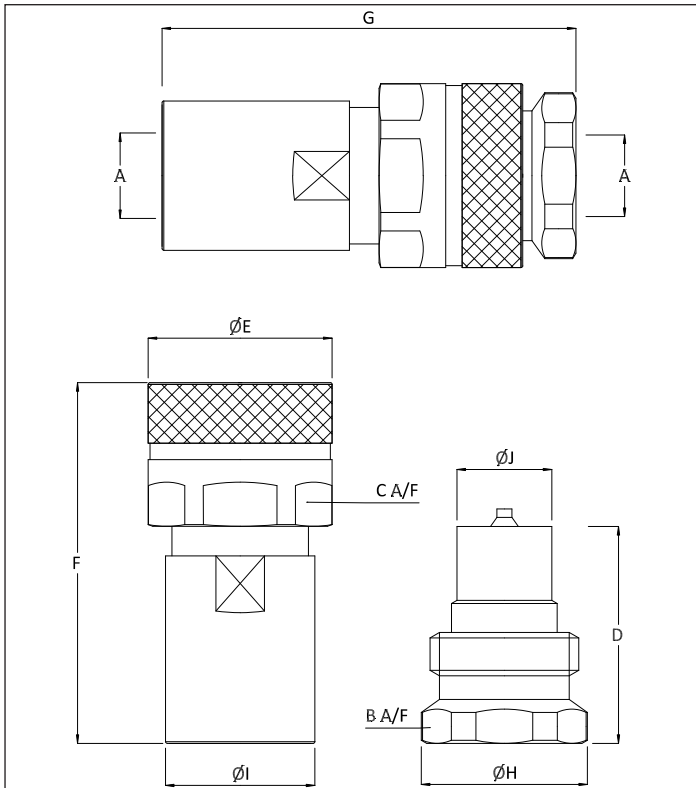
APPLICATIONS

- Hydraulic jacks
- Hydraulic hammers
- Construction plant, mobile equipment, demolition and agricultural industries

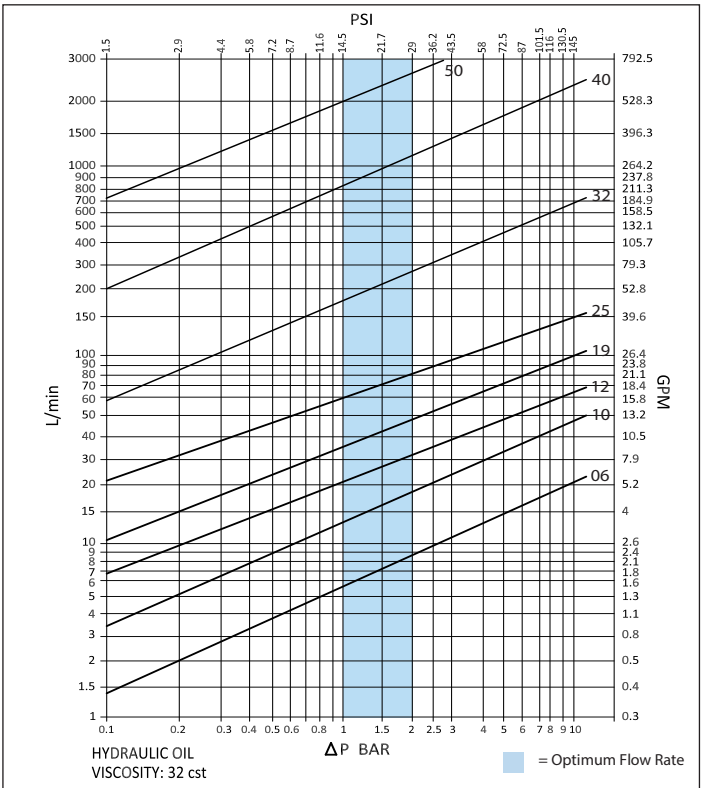
ORDER CODES



DRAWING



PRESSURE DROP CHARACTERISTICS



DIMENSIONS

Size	Thread Size (A)*	Dimensions in mm									Bar			
		B	C	D	ØE	F	G	ØH	ØI	ØJ	Maximum Working Pressure	Burst Pressure (Coupled)	Burst Pressure (Male)	Burst Pressure (Female)
PTC 06	1/4"	Dimensions in mm									Bar			
		Dimensions in Inches									Psi			
PTC 10	3/8"	25.0	27.0	43.0	30.0	61.5	84.5	27.0	25.0	14.0	800	2500	2400	2400
		1.0	1.1	1.7	1.2	2.4	3.3	1.1	1.0	0.6	11600	36250	34800	34800
PTC 12	1/2"	32.0	36.0	48.5	39.0	69.0	89.5	35.0	32.0	19.0	750	2350	2850	2450
		1.3	1.4	1.9	1.5	2.7	3.5	1.4	1.3	0.7	10875	34075	41325	35525
PTC 19	3/4"	34.0	41.0	53.0	44.0	79.0	103.0	38.0	38.0	20.5	750	2180	2400	2180
		1.3	1.6	2.1	1.7	3.1	4.1	1.5	1.5	0.8	10875	31610	34800	31610
PTC 25	1"	46.0	50.0	63.0	54.0	97.5	121.5	48.5	44.0	28.0	700	2140	2120	2300
		1.8	2.0	2.5	2.1	3.8	4.8	1.9	1.7	1.1	10150	31030	30740	33350
PTC 32	1 1/4"	50.0	54.5	72.5	59.0	112.5	139.0	54.0	54.0	31.5	550	1960	1580	2220
		2.0	2.1	2.9	2.3	4.4	5.5	2.1	2.1	1.2	7975	28420	22910	32190
PTC 40	1 1/2"	65.0	74.5	86.0	80.0	139.5	167.0	70.0	69.5	44.0	550	2000	1780	1780
		2.6	2.9	3.4	3.1	5.5	6.6	2.8	2.7	1.7	7975	29000	25810	25810
PTC 50	2"	80.0	90.0	95.0	98.0	172.0	188.0	83.0	78.5	53.5	400	1480	1180	1290
		3.1	3.5	3.7	3.9	6.8	7.4	3.3	3.1	2.1	5800	21460	17110	18705
PTC 50	2"	110.0	123.0	118.5	127.5	160.0	228.0	115.5	105.0	82.0	350	1020	1300	1300
		4.3	4.8	4.7	5.0	6.3	9.0	4.5	4.1	3.2	5075	14790	18850	18850

*Dimensions based on BSPP threads

PSI= Bar x14.5 Inches= mm/25.4

SCREW CONNECT COUPLERS

