

PSP | PSB SERIES

High pressure screw connect poppet & ball couplers made to the ISO 14540 Standard

INTRODUCTION

Holmbury's PSP & PSB Series screw connect couplers are designed primarily for high pressure applications. They can be connected under low residual system pressures. The couplers are available with ball or poppet style valves.

CONSTRUCTION

- Carbon steel with trivalent plating
- Fitted with Polyurethane & Nitrile seals

FEATURES

- Screw connect design eliminates brinelling
- PSP offers poppet style valve
- PSB offers ball style valve
- Can be connected with low residual pressure in the hydraulic circuit
- Bidirectional flow

ACCESSORIES

- Dust Caps and Plugs are available for the PSP & PSB Series



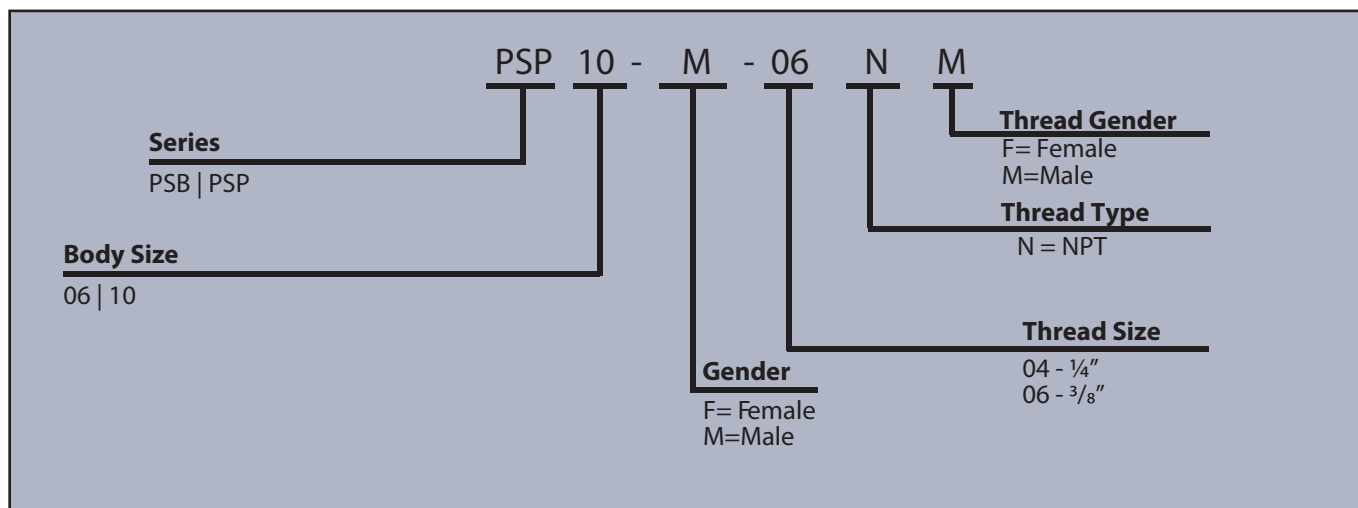
SPECIFICATIONS

- Operating temperatures (With Nitrile & Polyurethane seals): -30°C (-22°F) to 106°C (223°F)

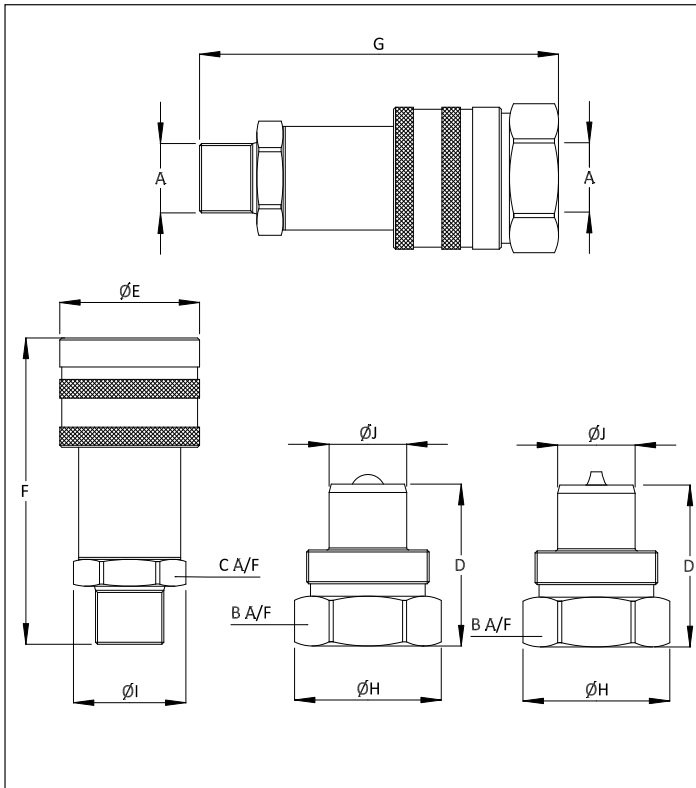
APPLICATIONS

- High pressure applications (Up to 700 bar for PSB and 1000 bar for PSP)
- General industrial, construction plant, mobile equipment, demolition and agricultural industries
- Hydraulic jacks
- Torque wrenches

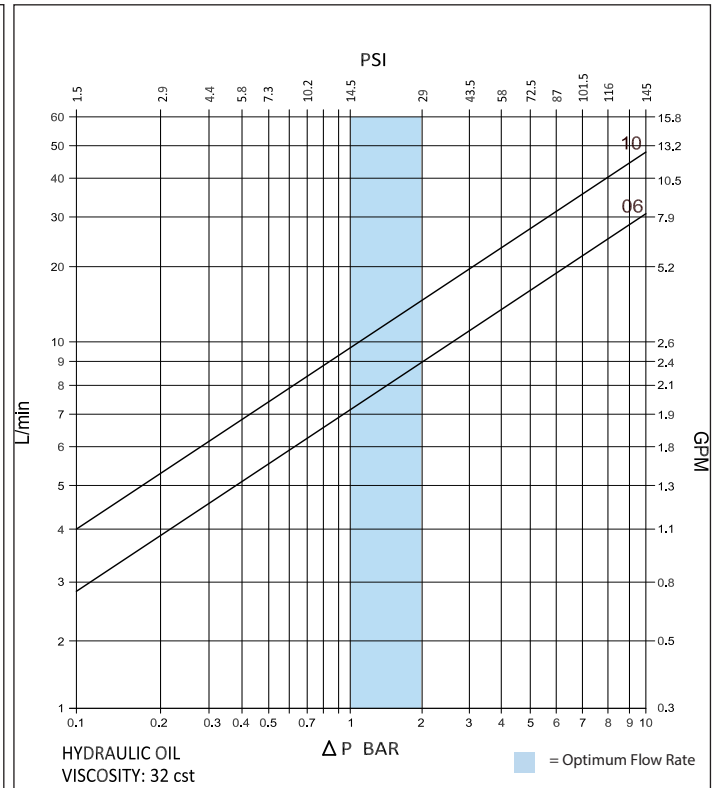
ORDER CODES



DRAWING



PRESSURE DROP CHARACTERISTICS



DIMENSIONS PSB

Size	Thread Size (A)	B	C	D	ØE	F	G	ØH	ØI	ØJ	Maximum Working Pressure	Burst Pressure (Coupled)	Burst Pressure (Male)	Burst Pressure (Female)
		Dimensions in mm									Bar			
		Dimensions in Inches									Psi			
PSB 06	1/4"	19.0	22.0	32.5	28.5	60.0	73.5	28.0	25.5	16.0	720	2160	1440	1400
		0.7	0.9	1.3	1.1	2.4	2.9	1.1	1.0	0.6	10440	31320	20880	20300
PSB 10	3/8"	32.0	25.0	35.0	34.0	73.5	83.5	35.0	28.5	19.0	720	2160	1440	1400
		1.3	1.0	1.4	1.3	2.9	3.3	1.4	1.1	0.7	10440	31320	20880	20300

DIMENSIONS PSP

Size	Thread Size (A)	B	C	D	ØE	F	G	ØH	ØI	ØJ	Maximum Working Pressure	Burst Pressure (Coupled)	Burst Pressure (Male)	Burst Pressure (Female)
		Dimensions in mm									Bar			
		Dimensions in Inches									Psi			
PSP 06	1/4"	19.0	22.0	32.5	28.5	60.0	73.5	28.0	25.5	16.0	1000	2160	2160	2100
		0.7	0.9	1.3	1.1	2.4	2.9	1.1	1.0	0.6	14500	31320	31320	30450
PSP 10	3/8"	32.0	25.0	35.0	34.0	73.5	83.5	35.0	28.5	19.0	1000	2160	2160	2100
		1.3	1.0	1.4	1.3	2.9	3.3	1.4	1.1	0.7	14500	31320	31320	30450

PSI= Bar x14.5 Inches= mm/25.4

