

PLC SERIES

Screw connect and pull break couplers

INTRODUCTION

Holmbury's PLC Series screw connect couplers allow for connection under pressure and are ideal choice for snow removal applications with high pressure pulses.

CONSTRUCTION

- Carbon steel with trivalent plating
- Fitted with Nitrile seals

FEATURES

- Screw connection only possible with both halves of PLC Series
- Screw connect design eliminates brinelling
- Can be connected with residual pressure in the system
- Bidirectional flow

ACCESSORIES

- Dust Caps and Plugs are available for the PLC Series



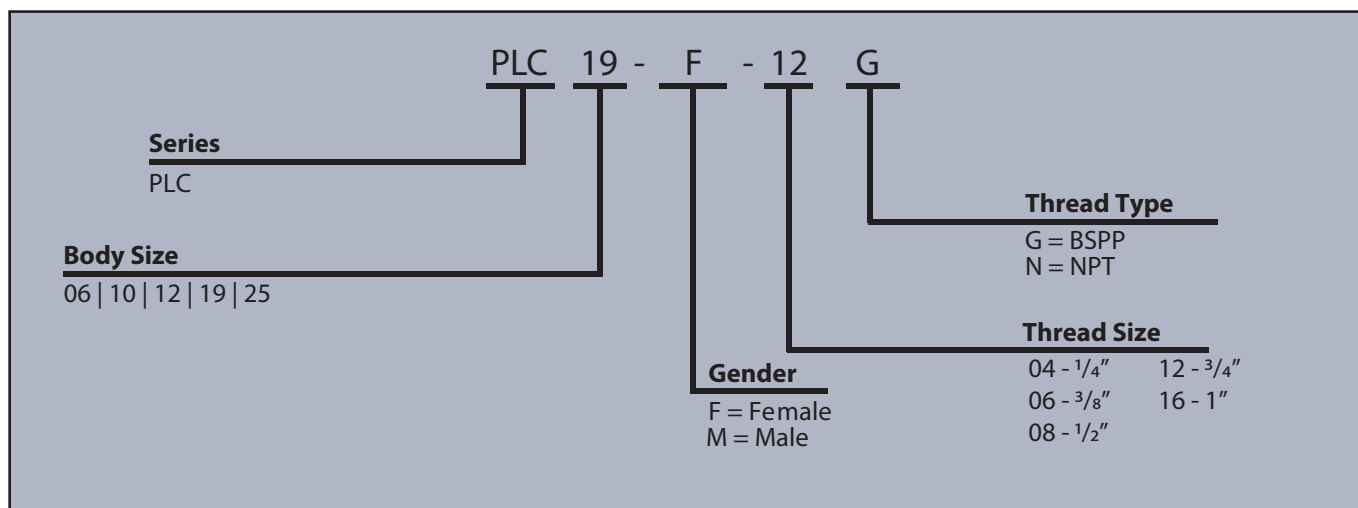
SPECIFICATIONS

- Operating temperatures (with Nitrile seals): -40°C (-40°F) to 106°C (223°F)

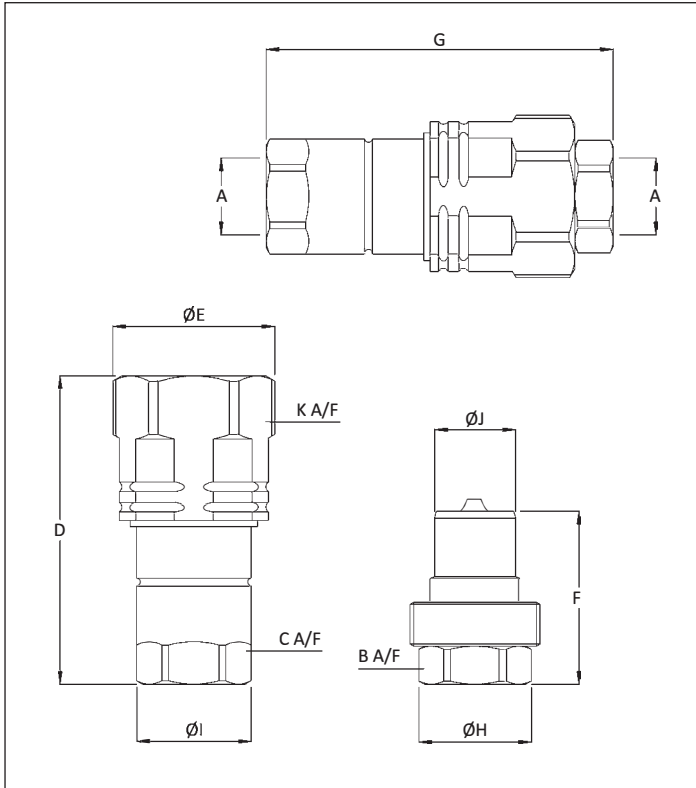
APPLICATIONS

- Snow removal
- Agricultural
- General industrial
- Mobile equipment

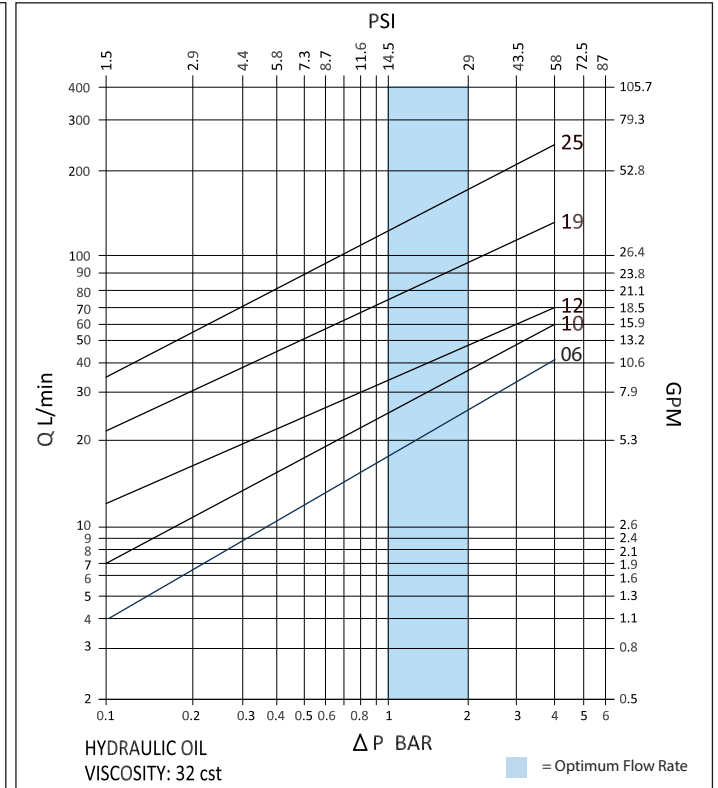
ORDER CODES



DRAWING



PRESSURE DROP CHARACTERISTICS



GENERAL PURPOSE COUPLERS

DIMENSIONS

Size	Thread Size (A)*	B	C	K	D	ØE	F	G	ØH	ØI	ØJ	Maximum Working Pressure	Burst Pressure (Coupled)	Burst Pressure (Male)	Burst Pressure (Female)
Dimensions in Inches												Psi			
PLC 06	1/4"	19.0	19.0	27.0	50.0	30.0	33.0	66.0	22.0	22.0	14.2	300	1600	1600	1550
		0.7	0.7	1.1	2.0	1.2	1.3	2.6	0.9	0.9	0.6	4350	23200	23200	22475
PLC 10	3/8"	24.0	24.0	34.0	72.0	38.0	40.5	83.0	27.0	27.0	19.0	300	1600	1600	1550
		0.9	0.9	1.3	2.8	1.5	1.6	3.3	1.1	1.1	0.7	4350	23200	23200	22475
PLC 12	1/2"	27.0	27.0	38.2	82.0	42.0	49.0	95.8	30.0	30.0	20.5	300	1600	1550	1500
		1.1	1.1	1.5	3.2	1.7	1.9	3.8	1.2	1.2	0.8	4350	23200	22475	21750
PLC 19	3/4"	34.0	34.0	50.0	108.0	55.0	62.0	126.0	38.0	38.0	28.0	280	1300	1300	1300
		1.3	1.3	2.0	4.3	2.2	2.4	5.0	1.5	1.5	1.1	4060	18850	18850	18850
PLC 25	1"	41.0	41.0	55.0	124.0	61.0	73.0	144.5	45.5	44.0	31.5	250	1200	1200	1100
		1.6	1.6	2.2	4.9	2.4	2.9	5.7	1.8	1.7	1.2	3625	17400	17400	15950

*Dimensions based on BSPP threads

PSI= Bar x14.5 Inches= mm/25.4

