

IB / IBZ SERIES

ISO B couplers made to the ISO 7241:2014 Series B Standard

INTRODUCTION

Holmbury's IB / IBZ Series ISO B couplers are the ideal choice where a tough, durable product of superior quality is required. They are perfectly suited to agricultural and industrial applications

CONSTRUCTION

- Carbon steel with trivalent plating (Zinc nickel plating available with IBZ Series)
- Fitted with Nitrile seals (Viton seals available)
- Also available in AISI 316 stainless steel (See IBS Series)
- Also available in brass (See IBB Series)

FEATURES

- Optional zinc nickel plating provides corrosion resistance (1200 hours with no red rust in salt spray tests)
- Poppet valves have balanced springs
- Locking ball system allows quick connection
- Bidirectional flow

ACCESSORIES

- Dust Caps, Plugs and Seal Kits are available for the IB / IBZ Series



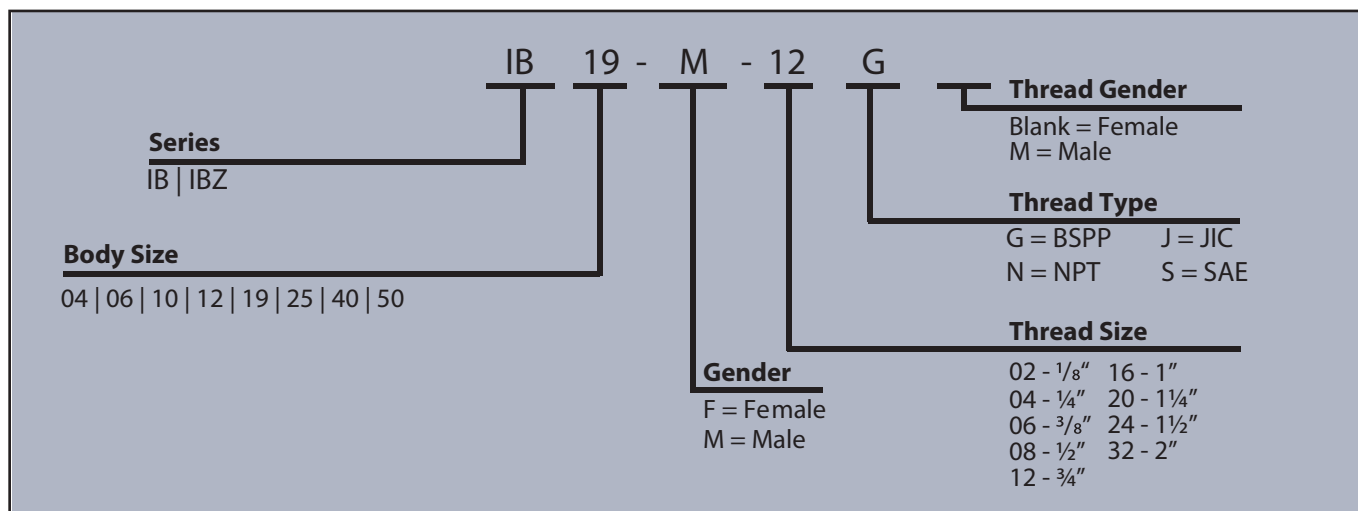
SPECIFICATIONS

- Operating temperatures (with Nitrile seals): -40°C (-40°F) to 106°C (223°F), (with Viton seals): -20°C (-4°F) to 200°C (392°F)

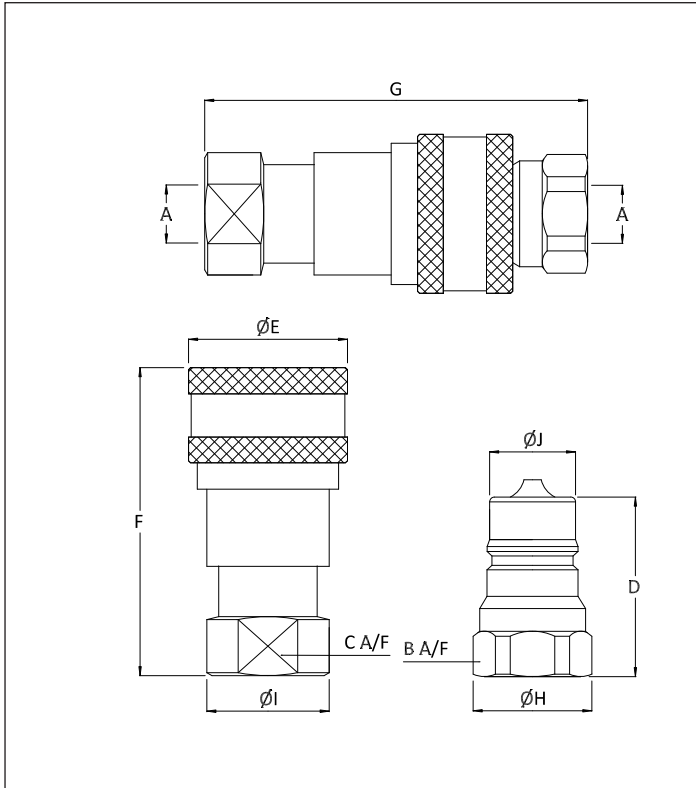
APPLICATIONS

- Agricultural
- Mobile
- Construction

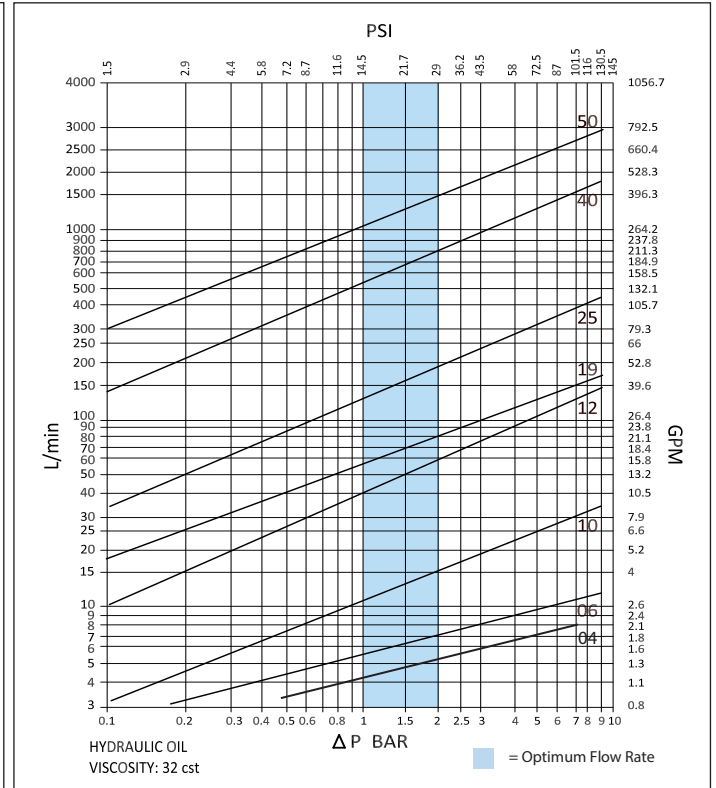
ORDER CODES



DRAWING



PRESSURE DROP CHARACTERISTICS



DIMENSIONS

Size	Thread Size (A)*	Dimensions in mm									Bar			
		B	C	D	ØE	F	G	ØH	ØI	ØJ	Maximum Working Pressure	Burst Pressure (Coupled)	Burst Pressure (Male)	Burst Pressure (Female)
IB / IBZ 04	1/8"	Dimensions in mm									Bar			
		Dimensions in Inches									Psi			
IB / IBZ 06	1/4"	14.0	17.0	29.0	24.0	48.0	58.5	15.0	19.0	11.0	500	2300	1900	1950
		0.6	0.7	1.1	0.9	1.9	2.3	0.6	0.7	0.4	7250	33350	27550	28275
IB / IBZ 10	3/8"	19.0	19.0	36.0	28.5	58.0	72.5	21.0	22.0	14.0	400	1750	1700	1800
		0.7	0.7	1.4	1.1	2.3	2.9	0.8	0.9	0.6	5800	25375	24650	26100
IB / IBZ 12	1/2"	24.0	24.0	40.0	35.0	65.0	80.5	26.5	27.0	19.0	350	1500	1500	1550
		0.9	0.9	1.6	1.4	2.6	3.2	1.0	1.1	0.7	5075	21750	21750	22475
IB / IBZ 19	3/4"	28.5	28.5	46.5	44.5	74.0	94.0	31.5	33.5	23.5	300	1320	1350	1400
		1.1	1.1	1.8	1.8	2.9	3.7	1.2	1.3	0.9	4350	19140	19575	20300
IB / IBZ 25	1"	36.0	36.0	56.0	54.0	92.5	113.0	39.0	39.0	31.5	300	1200	1300	1350
		1.4	1.4	2.2	2.1	3.6	4.4	1.5	1.5	1.2	4350	17400	18850	19575
IB / IBZ 40	1 1/4"	41.0	41.0	63.0	63.0	103.0	127.0	44.5	48.0	38.0	280	1150	1060	1100
		1.6	1.6	2.5	2.5	4.1	5.0	1.8	1.9	1.5	4060	16675	15370	15950
IB / IBZ 40	1 1/2"	65.0	65.0	126.0	75.0	126.0	198.0	70.0	70.0	44.5	170	700	750	800
		2.6	2.6	5.0	3.0	5.0	7.8	2.8	2.8	1.8	2465	10150	10875	11600
IB / IBZ 50	2"	65.0	65.0	126.0	75.0	126.0	198.0	70.0	70.0	44.5	170	700	750	800
		2.6	2.6	5.0	3.0	5.0	7.8	2.8	2.8	1.8	2465	10150	10875	11600
IB / IBZ 50	2"	90.0	90.0	124.0	105.0	124.0	222.0	97.0	97.0	63.0	100	500	600	700
		3.5	3.5	4.9	4.1	4.9	8.7	3.8	3.8	2.5	1450	7250	8700	10150

*Dimensions based on BSPP threads

PSI= Bar x14.5 Inches= mm/25.4

