

# DIN V / DNVZ SERIES

## Poppet seal couplers made to the ISO 5675 Standard

### INTRODUCTION

Holmbury's DIN V / DNVZ Series couplers are designed with a poppet valve for quick and connection and disconnection. They are interchangeable with the ISO A couplers in 1/2" size only.

### CONSTRUCTION

- Carbon steel with trivalent plating
- Fitted with Nitrile seals
- Also available in ball valve design (See DIN B / DNBZ Series)

### FEATURES

- Made to ISO 5675 Standard in 1/2" size only
- 1/2" male has internal diverter to prevent reverse flow checking
- Optional zinc nickel plating provides corrosion resistance (1200 hours with no red rust in salt spray tests)
- Poppet valves have balanced springs
- Locking ball system allows quick connection
- Bidirectional flow

### ACCESSORIES

- Dust Caps, Plugs and Seal Kits are available for the DIN V / DNVZ Series



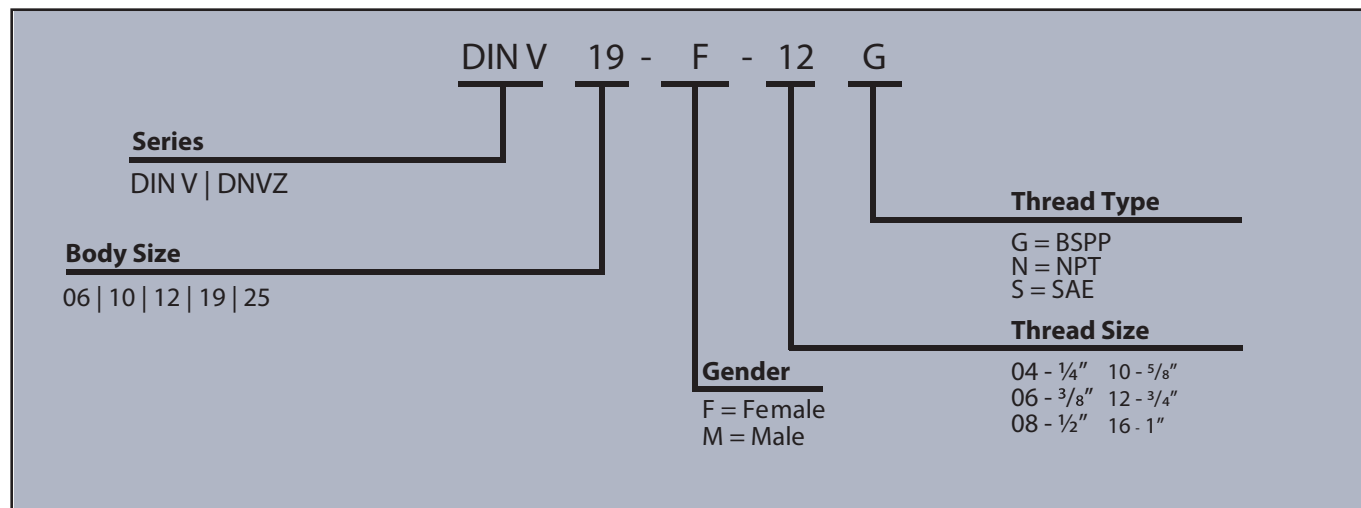
### SPECIFICATIONS

- Operating temperatures (with Nitrile seals): -40°C (-40°F) to 106°C (223°F)

### APPLICATIONS

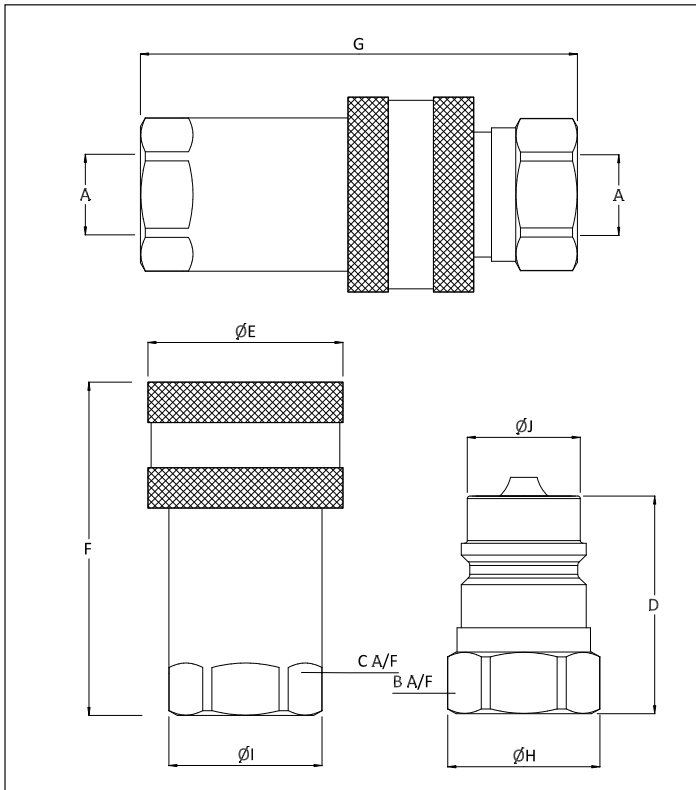
- Agricultural
- Mobile
- Construction

### ORDER CODES

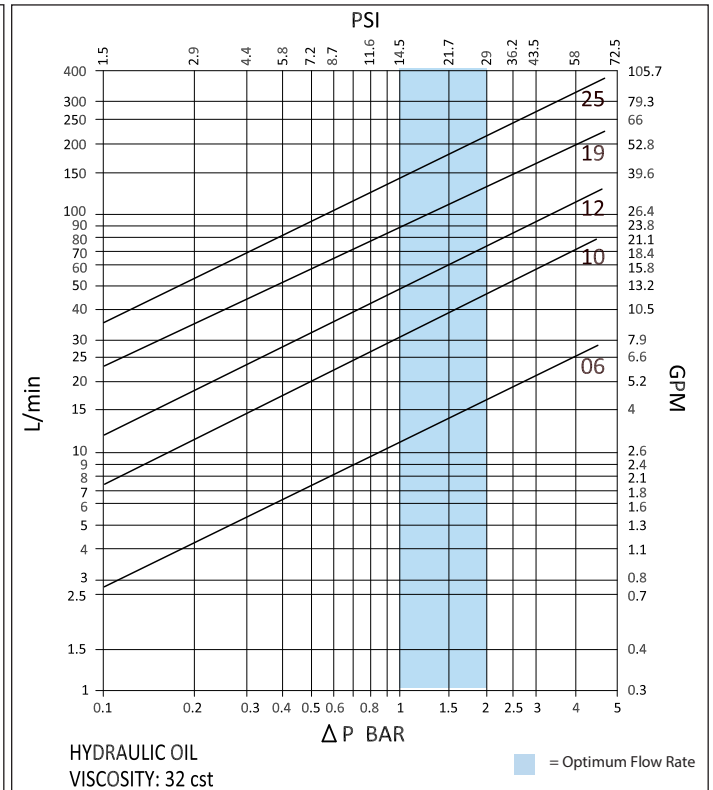


# DIN V / DNVZ SERIES

## DRAWING



## PRESSURE DROP CHARACTERISTICS



ISO & DIN COUPLERS

## DIMENSIONS

Size	Thread Size (A)*	B	C	D	ØE	F	G	ØH	ØI	ØJ	Maximum Working Pressure	Burst Pressure (Coupled)	Burst Pressure (Male)	Burst Pressure (Female)	
													Bar	Psi	
												Dimensions in mm		Bar	
												Dimensions in Inches		Psi	
DINV / DNVZ 06	1/4"	19.0	22.0	36.5	28.0	55.5	74.5	21.0	23.8	14.0	375	1600	1600	1600	
		0.7	0.9	1.4	1.1	2.2	2.9	0.8	0.9	0.6	5437.5	23200	23200	23200	
DINV / DNVZ 10	3/8"	24.0	24.0	40.0	34.0	60.5	80.5	26.5	30.0	19.0	350	1450	1300	1300	
		0.9	0.9	1.6	1.3	2.4	3.2	1.0	1.2	0.7	5075	21025	18850	18850	
DINV / DNVZ 12	1/2"	27.0	27.0	43.5	38.5	66.0	88.0	30.0	30.0	20.5	320	1300	1500	1400	
		1.1	1.1	1.7	1.5	2.6	3.5	1.2	1.2	0.8	4640	18850	21750	20300	
DINV / DNVZ 19	3/4"	34.0	34.0	53.5	48.0	82.5	108.5	38.0	38.0	29.0	300	1200	1100	1100	
		1.3	1.3	2.1	1.9	3.2	4.3	1.5	1.5	1.1	4350	17400	15950	15950	
DINV / DNVZ 25	1"	41.0	41.0	64.0	56.5	98.0	129.0	44.0	47.5	31.0	275	1100	1000	1000	
		1.6	1.6	2.5	2.2	3.9	5.1	1.7	1.9	1.2	3987.5	15950	14500	14500	

\*Dimensions based on BSPP threads

PSI= Bar x14.5 Inches= mm/25.4

