

# DIN B / DNBZ SERIES

## Ball seal couplers made to the ISO 5675 Standard

### INTRODUCTION

Holmbury's DIN B / DNBZ Series ball valve couplers are intended for applications where compatibility with existing equipment is essential. For new applications Holmbury recommends poppet valve couplers as a more durable option.

### CONSTRUCTION

- Carbon steel with trivalent plating
- Fitted with Nitrile seals
- Also available in poppet valve design (See DIN V / DNVZ Series)

### FEATURES

- Made to ISO 5675 Standard in 1/2" size only
- 1/2" male has internal diverter to prevent reverse flow checking
- Optional zinc nickel plating provides corrosion resistance (1200 hours with no red rust in salt spray tests)
- Locking ball system allows quick connection
- Bidirectional flow

### ACCESSORIES

- Dust Caps, Plugs and Seal Kits are available for the DIN B / DNBZ Series



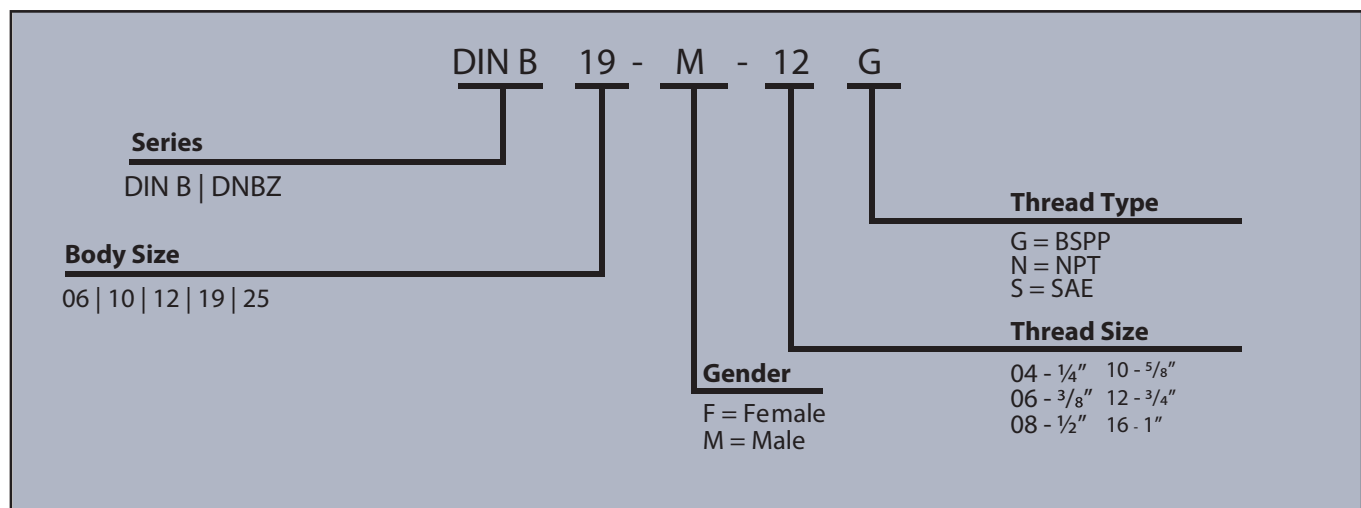
### SPECIFICATIONS

- Operating temperatures (with Nitrile seals): -40°C (-40°F) to 106°C (223°F)

### APPLICATIONS

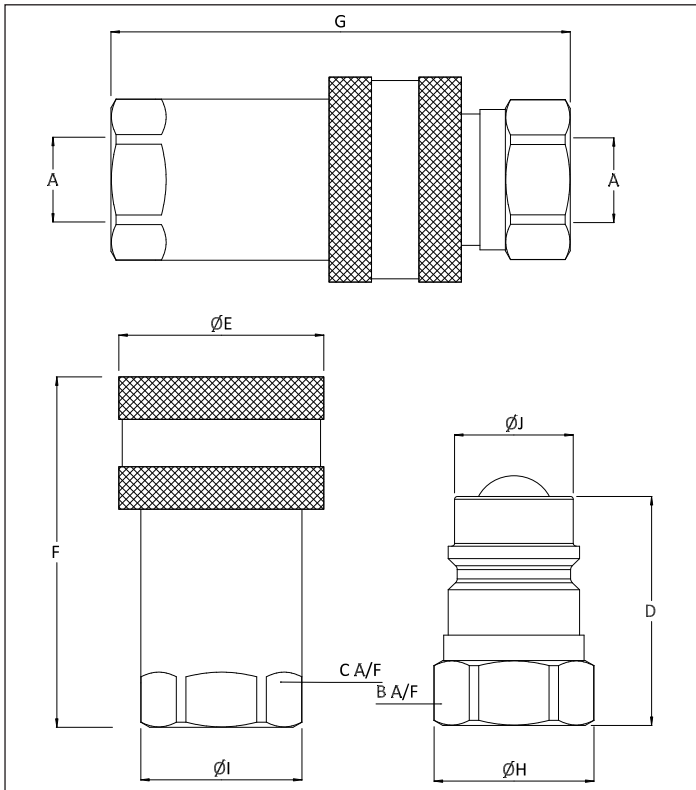
- Existing DIN B applications
- Agricultural
- Mobile
- Construction

### ORDER CODES

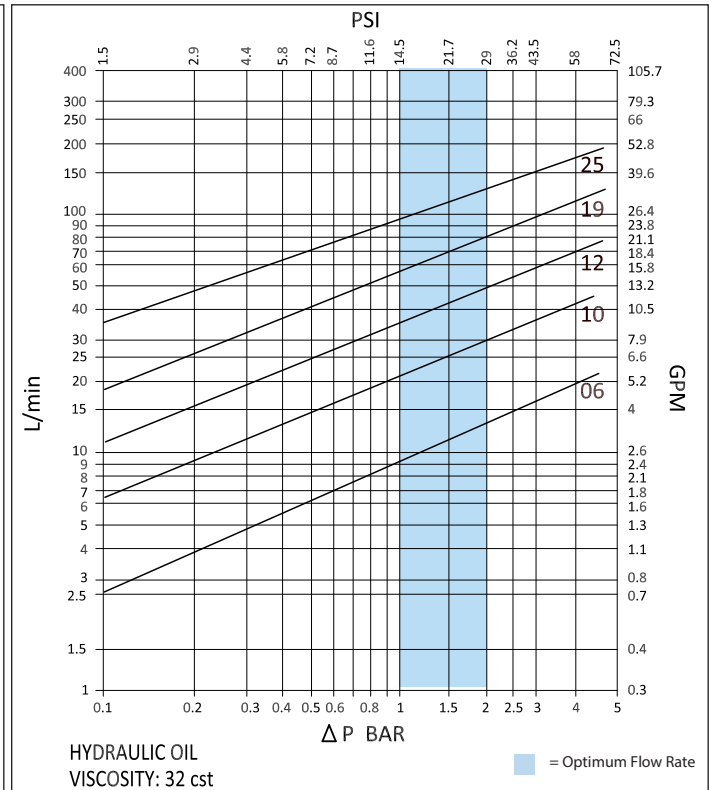


# DIN B / DNBZ SERIES

## DRAWING



## PRESSURE DROP CHARACTERISTICS



ISO & DIN COUPLERS

## DIMENSIONS

Size	Thread Size (A)*	B	C	D	ØE	F	G	ØH	ØI	ØJ	Maximum Working Pressure	Burst Pressure (Coupled)	Burst Pressure (Male)	Burst Pressure (Female)
Dimensions in Inches											Psi			
DINB / DIN BZ 06	1/4"	19.0	19.0	36.0	27.5	53.5	72.5	21.0	21.8	14.0	350	1550	1550	1550
		0.7	0.7	1.4	1.1	2.1	2.9	0.8	0.9	0.6	5075	22475	22475	22475
DINB / DIN BZ 10	3/8"	24.0	24.0	40.0	34.0	63.2	83.0	26.6	27.2	19.0	300	1400	1250	1250
		0.9	0.9	1.6	1.3	2.5	3.3	1.0	1.1	0.7	4350	20300	18125	18125
DINB / DIN BZ 12	1/2"	27.0	27.0	43.5	38.5	66.0	88.0	30.0	30.0	20.5	275	1250	1200	1200
		1.1	1.1	1.7	1.5	2.6	3.5	1.2	1.2	0.8	3987.5	18125	17400	17400
DINB / DIN BZ 19	3/4"	34.0	34.0	54.0	48.5	83.0	108.5	38.0	38.0	28.0	275	1150	1050	1050
		1.3	1.3	2.1	1.9	3.3	4.3	1.5	1.5	1.1	3987.5	16675	15225	15225
DINB / DIN BZ 25	1"	41.0	41.0	63.5	56.0	96.5	129.0	44.0	44.0	31.0	250	1050	950	950
		1.6	1.6	2.5	2.2	3.8	5.1	1.7	1.7	1.2	3625	15225	13775	13775

\*Dimensions based on BSPP threads

PSI= Bar x14.5 Inches= mm/25.4

